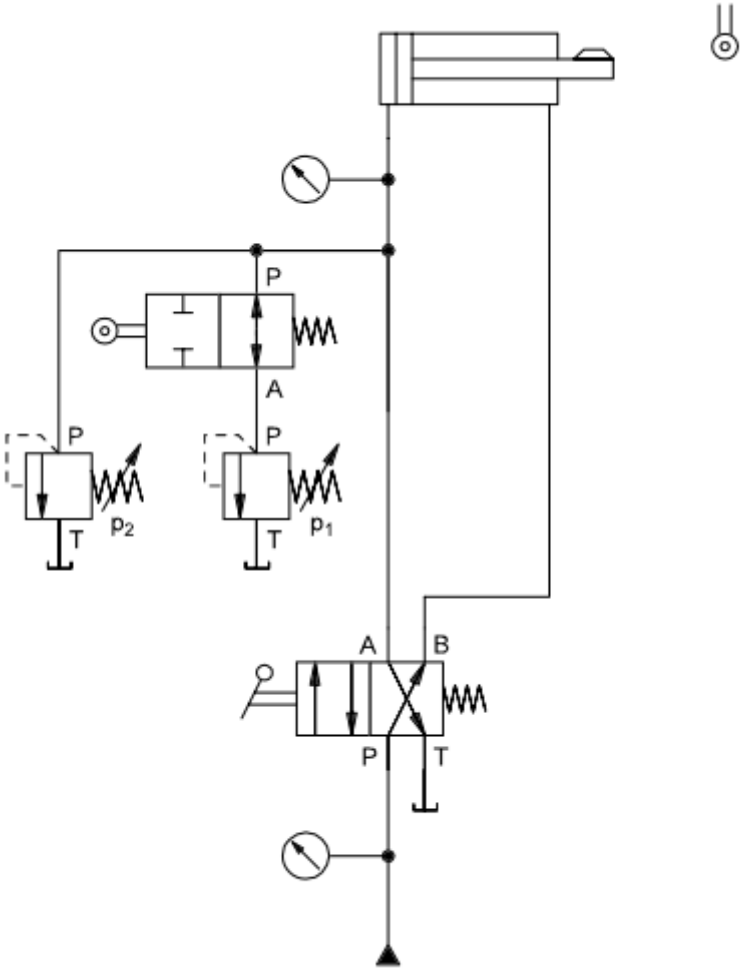
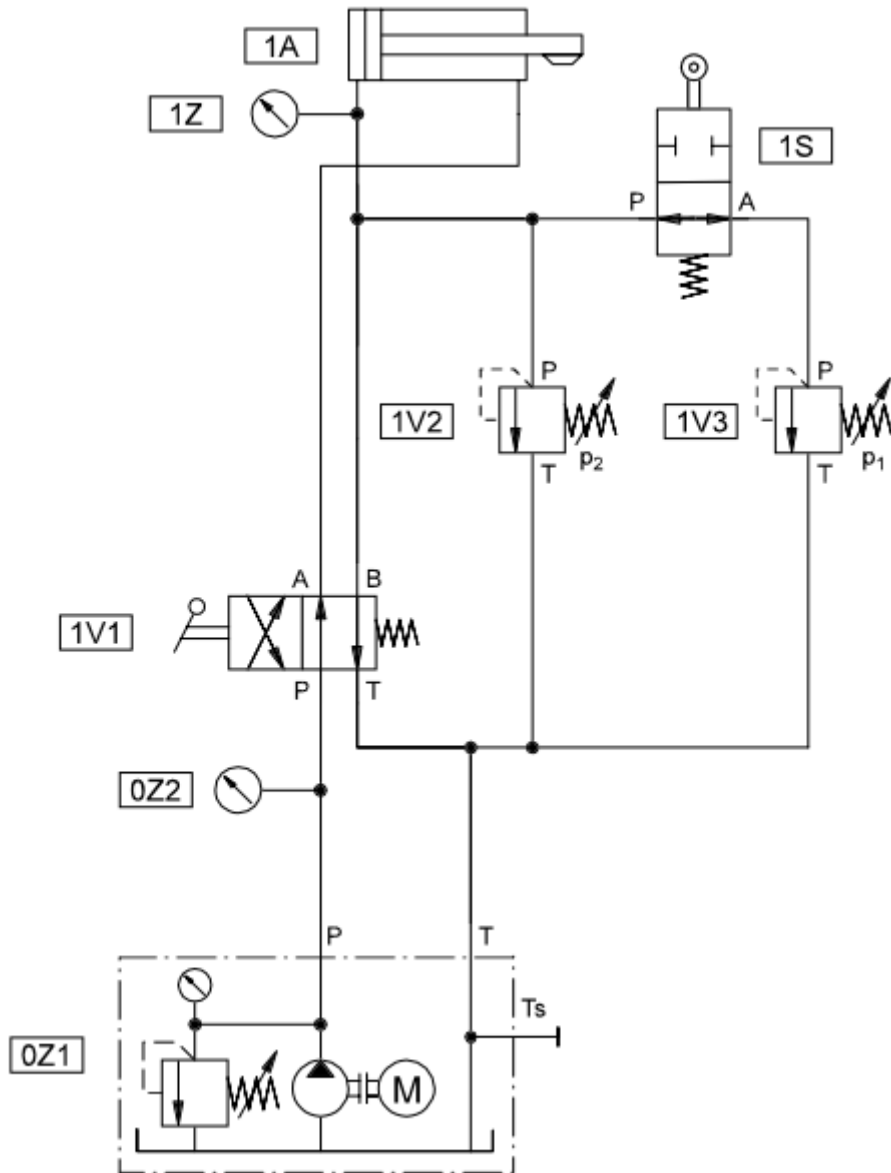


Rozwiązanie ćwiczenia 9



Montaż praktyczny



Item no.	Qty.	Description
0Z1	1	Hydraulic power pack
0Z2, 1Z	2	Pressure gauge
1V1	1	4/2-way hand-lever valve
1V2, 1V3	2	Pressure relief valve
1S	1	2/2-way stem-actuated valve
1A	1	Cylinder, double-acting
	1	Mounting kit
	9	Hose line
	4	Branch tee